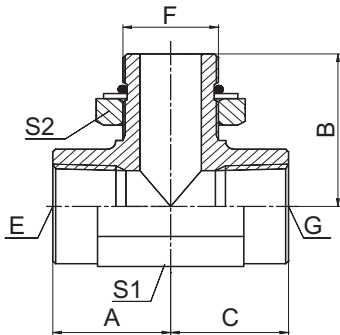


过渡接头 ADAPTER



JNON-OG

布锥管内螺纹 / SAE 外螺纹带 O 形圈 / 布锥管内螺纹
NPT FEMALE / SAE O-RING BOSS / NPT FEMALE

代号 PART NO.	螺纹 THREAD			O 形圈 O-RING		尺寸 DIMENSIONS				
	E	F	G	F 端		A	B	C	S1	S2
JNON-04OG	Z1/4"X18	7/16"X20	Z1/4"X18	8.92X1.83		22.4	31.5	22.4	16	17
JNON-04-05-04	Z1/4"X18	1/2"X20	Z1/4"X18	10.52X1.83		22.4	31.5	22.4	16	17
JNON-06OG	Z3/8"X18	9/16"X18	Z3/8"X18	11.89X1.98		26.5	36.5	26.5	22	19
JNON-06-08-06OG	Z3/8"X18	3/4"X16	Z3/8"X18	16.36X2.21		31.2	40	31.2	27	24
JNON-08-06-08OG	Z1/2"X14	9/16"X18	Z1/2"X14	11.89X1.98		31.5	38.5	31.2	27	19
JNON-08OG	Z1/2"X14	3/4"X16	Z1/2"X14	16.36X2.21		31.2	43	31.2	27	24
JNON-08-10-08OG	Z1/2"X14	7/8"X14	Z1/2"X14	19.18X2.46		31.2	48	31.2	27	27
JNON-12-16-12OG	Z3/4"X14	1.5/16"X12	Z3/4"X14	29.74X2.95		41.1	59.5	41.1	41	41
JNON-12OG	Z3/4"X14	1.1/16"X12	Z3/4"X14	23.47X2.95		34.5	55	34.5	33	32
JNON-16OG	Z1"X11.5	1.5/16"X12	Z1"X11.5	29.74X2.95		41.1	59.5	41.1	41	41